

# PYROVENT FAN

## Smoke Protection Smart Vent



### ABOUT THE PYROVENT FAN

The PyroSafe Vent is a smart vent, protecting from smoke spreading through communal ventilation systems. PYROVENT FAN includes its own integral extract fan.

Using proven technologies in innovative ways, the PYROSAFE VENT is a unique product with the ability to sense smoke, heat and humidity levels, that will immediately seal the ventilation port, compartmentalising a dwelling, with an intumescent disc to seal the valve further in event of a local fire.

### PYROSAFE VENT FEATURES

1. Ionisation smoke detection to BS5446-1:2000
2. Extract Fan - with Automatic humidity Control
3. Rate of Rise (ROR) Detector conforming to BS EN 14604:2005
4. Audible alarm available
5. AutoStat Smart Humidity Controller
6. Mains Powered via 12v Power Supply
7. Battery back up by Rechargeable Lithium-Ion Battery, rated for 10 years
8. Stainless Steel Construction
9. Servo Operated Smoke Valve
10. Silicone Rubber Smoke Seal, rated to 140 °C
11. Intumescent disc, activated at 130 °C conforming to BS476:Part22 20:1987
12. Internal Data Logger with 12 month memory, recording data on humidity, testing, smoke detection, battery status, and power up/power down

### GENERAL NOTES

The PYROSAFE VENT is designed to inhibit the spread of smoke and fire through communal duct systems, by compartmentalising a dwelling when smoke is detected, either from the dwelling, or from the duct system.

On Smoke Detection or a rapid temperature increase, the unit will automatically close the valve, utilising the silicone rubber smoke seal, and activate the audible alarm. The audible alarm can be stopped by the reset button by the resident, however the valve will remain closed until the smoke is cleared. In the event of a localised fire, the intumescent disc will be activated, expand and close the duct further.

The Autostat Humidity controller continually senses the environment and during times of high humidity, proportionally compensates the smoke detector to stop false alarms, due to smoke and water vapour particles being similar sizes. This feature allows the device to be situated in bathroom and kitchens as well as living areas.

\*Please note there there are more likely to be false alarms within the first couple of weeks as the Autostat acclimatises.

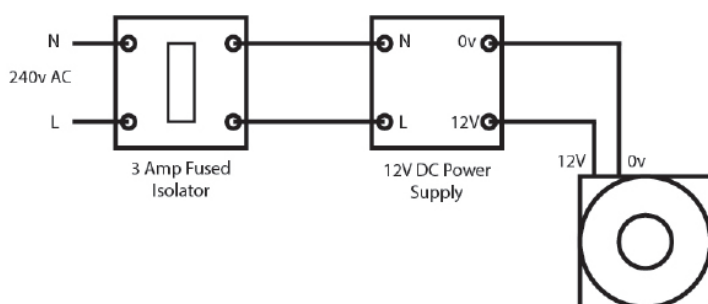
The fan is automatic and app controlled, the fan will shut down when in fire/smoke prevention mode.

App connectivity allows for remote testing of the unit, with the benefit of being able to test the unit without needing to access the dwelling. The data logger is also accessible via the app, allowing the user to download the relevant data, and able to send the data via email, to be able to filed. This allows compliance of testing to be proven if required.

Download the **VAPOURFLOW** app here:



Part Number	Description	Contents
FF P4 DDBF80	PYROVENT FAN	PYROSAFE VENT with 98mm spigot, with extract fan 80m <sup>3</sup> 12V with integral intumescent smoke detector & vent control Remote intumescent 12V power supply unit with LED indicator
AD 100/150:100 Ø	Adaptor	Adaptor, round to rectangular
AD 100/100:100 Ø	Adaptor	Adaptor, round to square
FF 14 DOBF80	PYROVENT FAN OFF SET	PYROSAFE VENT with OFF SET 98mm spigot 12V with integral intumescent smoke detector & vent control Remote intumescent 12V power supply unit with LED indicator



**IMPORTANT: All connections to ventilation system require metal to metal connection, with intumescent mastic.**

**For air pressure consistency throughout your ventilation systems use AutoFlow Pressure Valve.**

**All Duct work should be cleaned to TR/19 before installation.**

### PYROSAFE VENT INSTALLATION

The PYROVENT FAN requires all duct work to be cleaned before installation. Cleaning work should be carried out to TR/19 standard.

Electrical power supply should be derived from the ring main or lighting circuit, and there should be a way of isolating the power to the unit without isolating the whole supply circuit. Any electrical connection boxes must be made distinguishable by either colour or engraving.

Full training is provided, with certification upon completion for installers, with commissioning by a VapourFlow representative upon completion of installation.

For more information please contact our customer support or see our website for product details and a detailed installation guide.

### FOR THE SPECIFIER

For installation on to an existing extract port.

The PYROVENT FAN connection is of stainless steel construction with a servo air valve shutter assembly (smoke seal & intumescent fire break) with extract fan, integral smoke, heat and humidity detectors, lithium-ion rechargeable battery, microprocessor controller and data logger.

The app accessible maintenance data log includes: test and activation, humidity and temperature, fan activation, Iphone or Ipad required.

This unit adheres to the guidelines of the following:

- BS476:Part 20:1987
- BS 5446-1:2000
- BS 5446-2:2003
- EN 14604
- EN54-5:2000
- BS EN 14604:2005

Please note the PyroSafe Vent cannot be set above 20l/s and the maximum variation from atmospheric air pressure is 100 Pa.

Vapourflow reserves the right to alter specifications and withdraw products from sale without notice.



# VapourFlow

Henley Business Centre  
Henley-On-Thames  
RG9 1HG  
vapourflow.com  
vents@vapourflow.com  
01491 410170