

PYROVENT FAN

Smoke Protection Smart Vent



About the PyroVent Fan

The PyroVent Fan is a smart vent, protecting from smoke spreading through communal ventilation systems. PyroVent Fan includes its own integral extract fan.

Using proven technologies in innovative ways, the PyroVent Fan is a unique product with the ability to sense smoke, heat and humidity levels, that will immediately seal the ventilation port, compartmentalising a dwelling, with an intumescent disc to seal the valve further in event of a local fire.

PyroVent Features

1. Ionisation smoke detection to BS5446-1:2000
2. Extract Fan - with Automatic humidity Control
3. Rate of Rise (ROR) Detector conforming to BS EN 14604:2005
4. Audible alarm available
5. AutoStat Smart Humidity Controller
6. Mains Powered via 12v Power Supply
7. Battery back up by Rechargeable Lithium-Ion Battery, rated for 10 years
8. Stainless Steel Construction
9. Servo Operated Smoke Valve
10. Silicone Rubber Smoke Seal, rated to 140 °C
11. Intumescent disc, activated at 130 °C conforming to BS476:Part22 20:1987
12. Internal Data Logger with 12 month memory, recording data on humidity, testing, smoke detection, battery status, and power up/power down

General Notes

The PyroVent Fan is designed to inhibit the spread of smoke and fire through communal duct systems, by compartmentalising a dwelling when smoke is detected, either from the dwelling, or from the duct system.

On Smoke Detection or a rapid temperature increase, the unit will automatically close the valve, utilising the silicone rubber smoke seal, and activate the audible alarm. When the audible alarm is installed, the alarm can be stopped with the reset button by the resident, however the valve will remain closed until the smoke is cleared. In the event of a localised fire, the intumescent disc will be activated, to expand and close the duct.

The Autostat Humidity controller continually senses the environment and during times of high humidity, proportionally compensates the smoke detector to stop false alarms, due to smoke and water vapour particles being similar sizes. This feature allows the device to be situated in bathroom and kitchens as well as living areas.

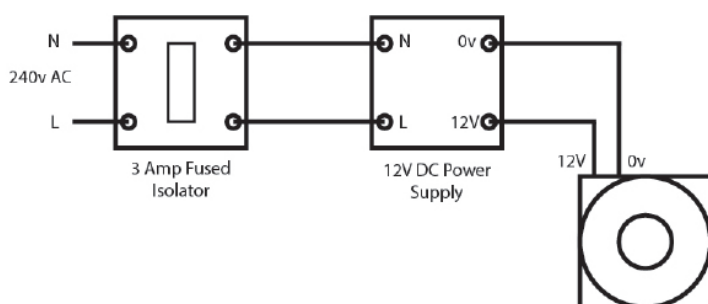
The fan is automatic and app controlled, the fan will shut down when in fire/smoke prevention mode.

App connectivity allows for remote testing of the unit, with the benefit of being able to check the unit operational and download data without needing to access the dwelling. The data logger is also accessible via the App, allowing the user to download historic data, and then able to send the data via email, along with a visual check, this allows compliance of testing to be proven.

Download the **VAPOURFLOW** App here:



Part Number	Description	Contents
FF P4 DDBF80	PyroVent Fan	PyroVent Fan with 98mm spigot, with extract fan 80m3 12V with integral intumescent smoke detector & vent control Remote intumescent 12V power supply unit with LED indicator
FV 100 2H	Fire Smoke 2 hour	Three part Valve 120 Minute Fire Smoke Valve with Alumina Silicate housing
AD 100/150:100 Ø	Adaptor	Adaptor, round to rectangular
AD 100/100:100 Ø	Adaptor	Adaptor, round to square
FF 14 DOBF80	PyroVent Fan Off Set	PyroVent Fan with Off Set 98mm spigot 12V with integral intumescent smoke detector & vent control Remote intumescent 12V power supply unit with LED indicator



IMPORTANT: All connections to ventilation system require metal to metal connection, with intumescent mastic.

All Duct work should be cleaned to TR/19 before installation.

Service: Pyrosafe units to be vacuum cleaned every 12 - 14 months, guidance notes available on our website.

PyroVent Fan Installation

The PyroVent Fan requires all duct work to be cleaned before installation. Cleaning work should be carried out to TR/19 standard.

Electrical power supply should be derived from the ring main or lighting circuit, and there should be a way of isolating the power to the unit without isolating the whole supply circuit. Any electrical connection boxes must be made distinguishable by either colour or engraving.

Full training is provided, with certification upon completion for installers, with commissioning by a VapourFlow representative upon completion of installation.

For more information please contact our customer support or see our website for product details and a detailed installation guide.

FSV100 2H Valve

For the Specifier

For installation on to an existing extract port. The PyroVent Fan connection is of stainless steel construction with a servo air valve shutter assembly (smoke seal & intumescent fire break) with extract fan, integral smoke, heat and humidity detectors, lithium-ion rechargeable battery, microprocessor controller and data logger.

The App accessible maintenance data log includes: test and activation, humidity and temperature, fan activation, iPhone required.

This unit adheres to the guidelines of the following:
 BS 5446-1:2000
 BS 5446-2:2003
 EN 14604
 EN54-5:2000
 BS EN 14604:2005

* BS476:Part 20:1987 For 120 minute rating use VapourFlow: **FSV 100 2H Valve***

Please note the PyroVent Fan cannot be run above 80l/s and the maximum variation from atmospheric air pressure is 150 Pa.

Vapourflow reserves the right to alter specifications and withdraw products from sale without notice.



VapourFlow

Henley Business Centre
 Henley-On-Thames
 RG9 1HG
 vapourflow.com
 vents@vapourflow.com
 01491 410170