



VapourFlow

DRYVENT 150 & 100 AUTO KITCHEN, BATHROOM, & UTILITY

ABOUT The DRYVENT 150 & 100 BluRay

The DRYVENT 100 & 150 fans are a multifunctional auto controlled high specification, dehumidifying fan designed for the particularly demanding condensation control requirements of kitchen, utility, or similar environments. As well as a multifunctional fan operated by an app if required, they includes speed control on both trickle and high level extract. This fan works best when used as part of a cross-flow ventilation system with other Vapourflow units.



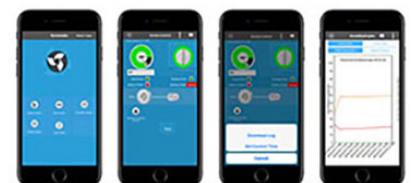
These units are effective for damp conditions, the basic operational setting runs continually, extracting at low speed to remove moisture laden air at source before it can condense. This condensation control is achieved through the inclusion of an internal, automatic Autostat unit. When the built-in Autostat detects the humidity level rising above acceptable levels the fan triggers into high speed delivering powerful performance when it is needed most. Control the Autostat unit by a remote switch or via the bluetooth app.

FEATURES AND BENEFITS

- We recommend this unit is used as part of a cross-flow ventilation system with other Vapourflow units
- Removable grease filter for the Kitchen DRYVENT 150 fan
- Incorporates the Autostat Humidity Controller that monitors ambient humidity and automatically adjusts
- If required a speed control via app, with the powerful DRYVENT 150
- Low energy, low cost continuous running at 50m³/h (low speed)
- Incorporates a data-logger that captures humidity, temperature and fan operation providing details on the dwelling air quality for improved condensation control management, all available with bluetooth download
- Incorporates reversible DC fan motors - designed to operate for 50,000+ hours fault free

Which means:

- ◊ Almost silent operation on trickle
- ◊ Cost effective as it is inexpensive to run, low maintenance and has a long life.
- ◊ Can be fixed in any orientation without affecting performance (wall, ceiling)
- Air flow continuous, thereby conforming to building regulations part F
- 5 year motor guarantee, 2 year product guarantee
- The DRYVENT fans are programmed for proportional overrun timer control, minimal operation at high speed
- Manual override option via bluetooth app control for DRYVENT 150 via switched live for the DRYVENT 100



SPECIFICATIONS

INPUT

Input Voltage	20-240V 50Hz
Fan Input Power (trickle)	4.5W
Fan Input Power (boost)	6.5W
Earth Leakage	Class II Construction, No Earth Yes
RoHS Compliance	Yes

PERFORMANCE

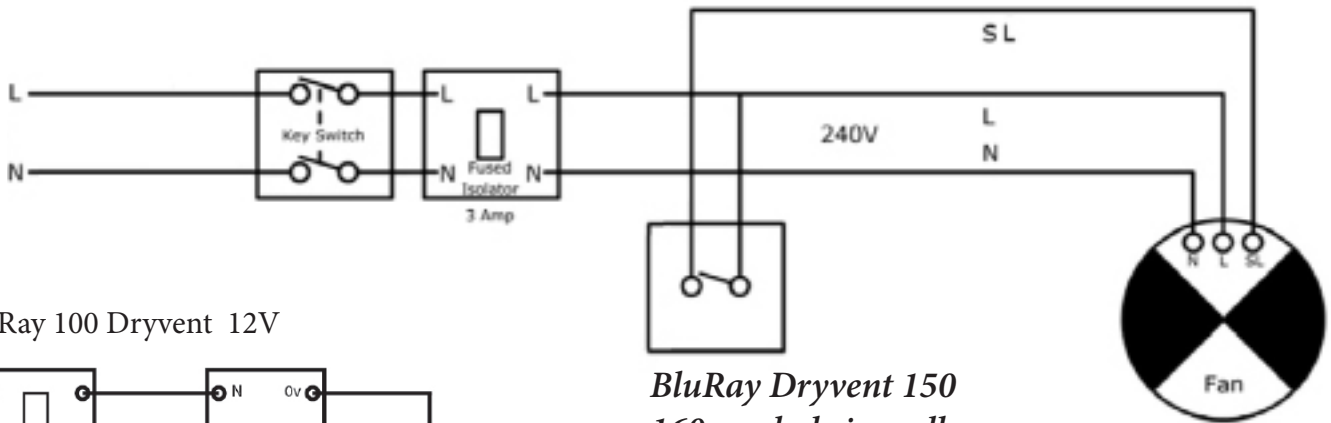
Acoustic Noise low Speed	Less than 30 dB(A)
Life Expectancy	>50,000 hours
Specific Fan Power	0.1 W/(l/s)
Static Pressure	75 Pa
Air Flow Continuous	0 to 70m ³ /h
Air Flow BluRay 100	0 to 85m ³ /h
Air Flow BluRay 150	0 to 220m ³ /h

GENERAL

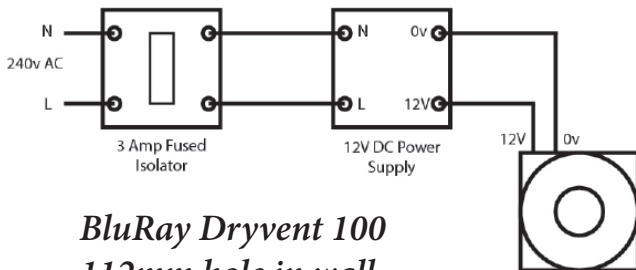
Operating Temperature	-10° to +40°C
Storage Temperature	-15° to +40°C
Weight	<2 kg
Optional Extras	Heritage Grille

MECHANICAL

Impact Strength	390 J/m (ASTM D790)
Flammability	UL94 V-0 (2.10mm)
Flame Retardant	Non-halogen
Heat Distortion	110°C
UV Resistance	1.0 E, 300 hours, ASTM



BluRay 100 Dryvent 12V



BluRay Dryvent 100
112mm hole in wall

BluRay Dryvent 150
160mm hole in wall

Download the **VAPOURFLOW** app here:



DRYVENT 100

Width: 155mm
Length: 155mm
Depth: 47mm

DRYVENT 150

Width: 210mm
Length: 210mm
Depth: 50mm



VapourFlow

VapourFlow Limited
Henley Business Centre
Newtown Road
United Kingdom
01491 410170
vapourflow.com
vents@vapourflow.com